

Fig. 3

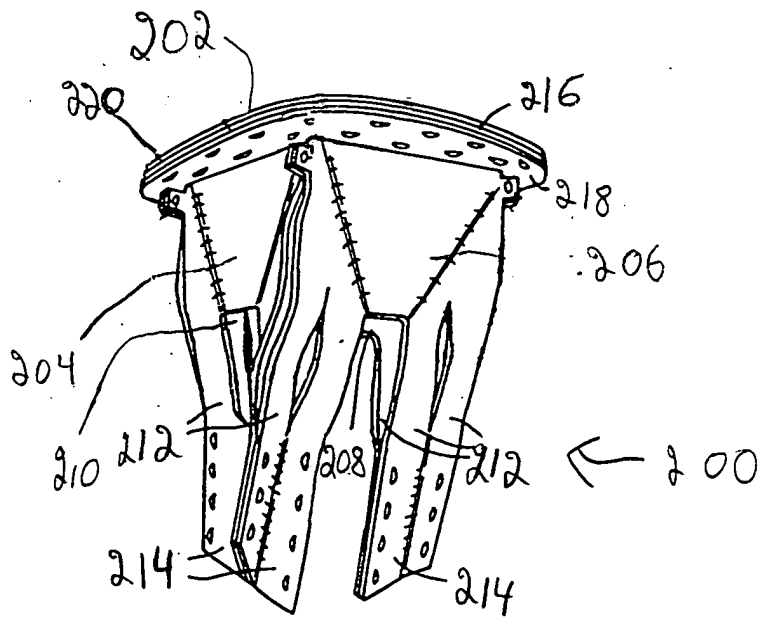
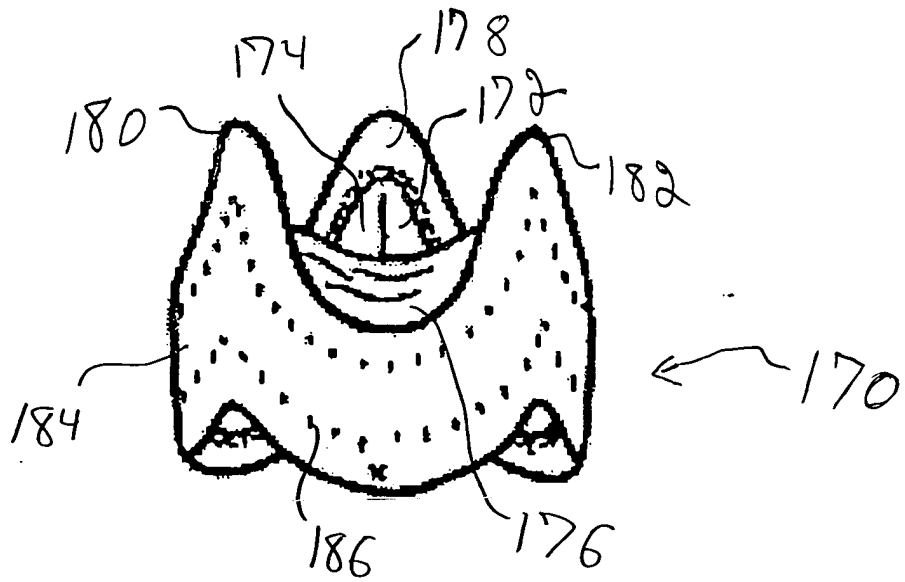


Fig. 4

U.S. Pat. No. 2,800,000, issued May 13, 1958, to the inventor of the present invention, and is hereby incorporated by reference into this patent.

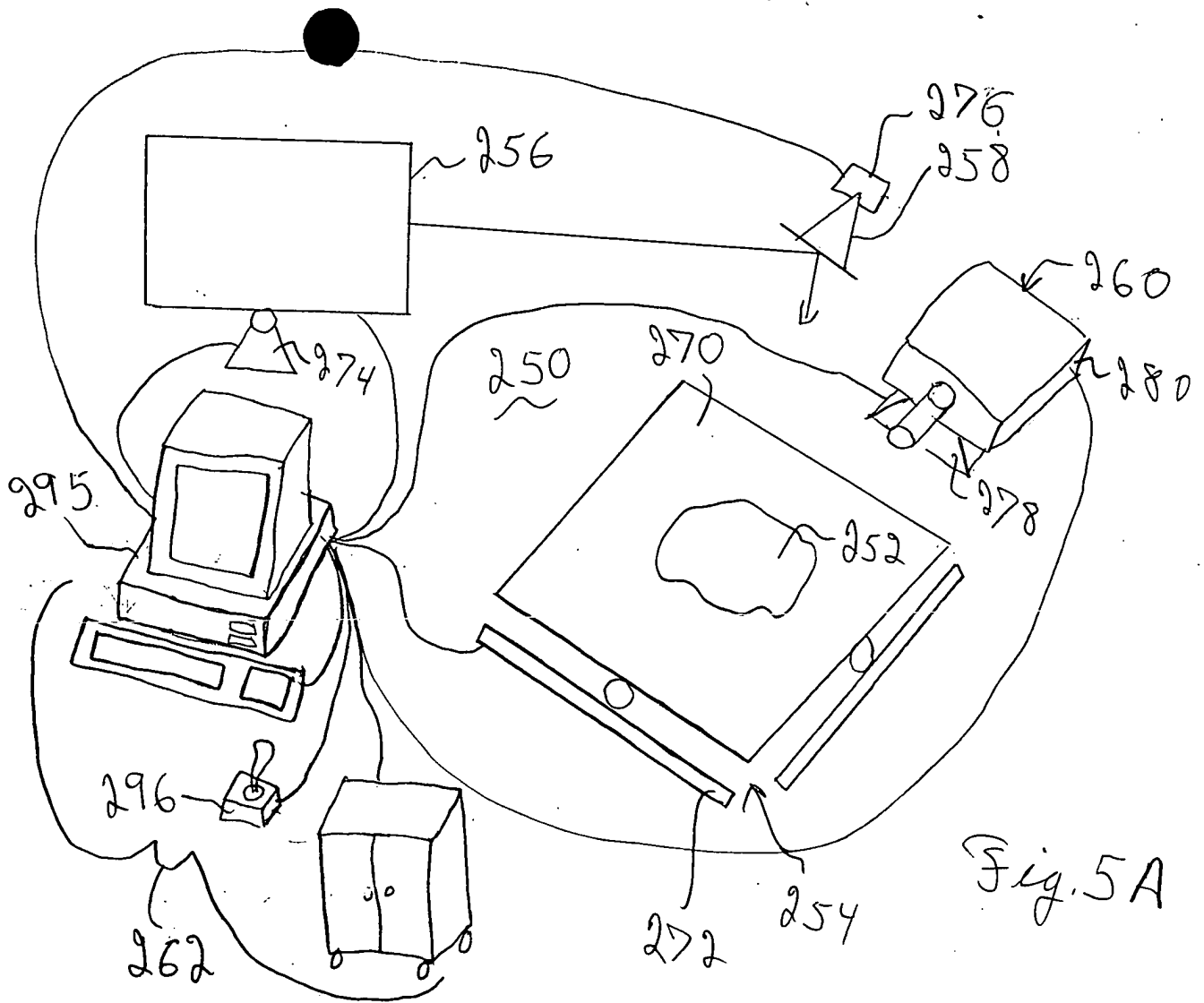


Fig. 5A

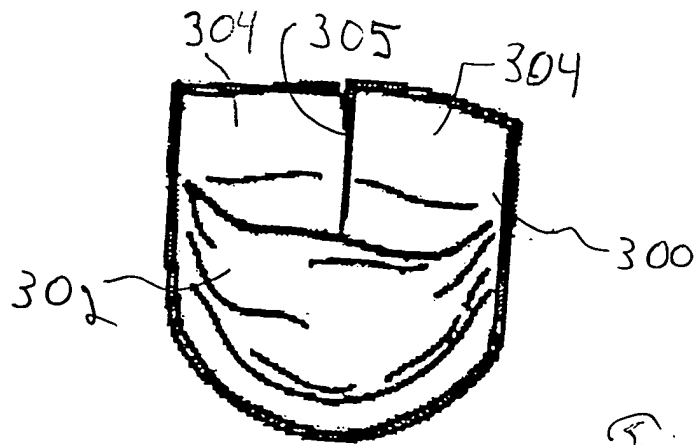


Fig. 7

This document is the property of the University of California, San Diego. It is to be used only for the purposes specified in the license agreement.

Printed on recycled paper with 10% post consumer waste. All rights reserved. © 2000 by [unreadable]

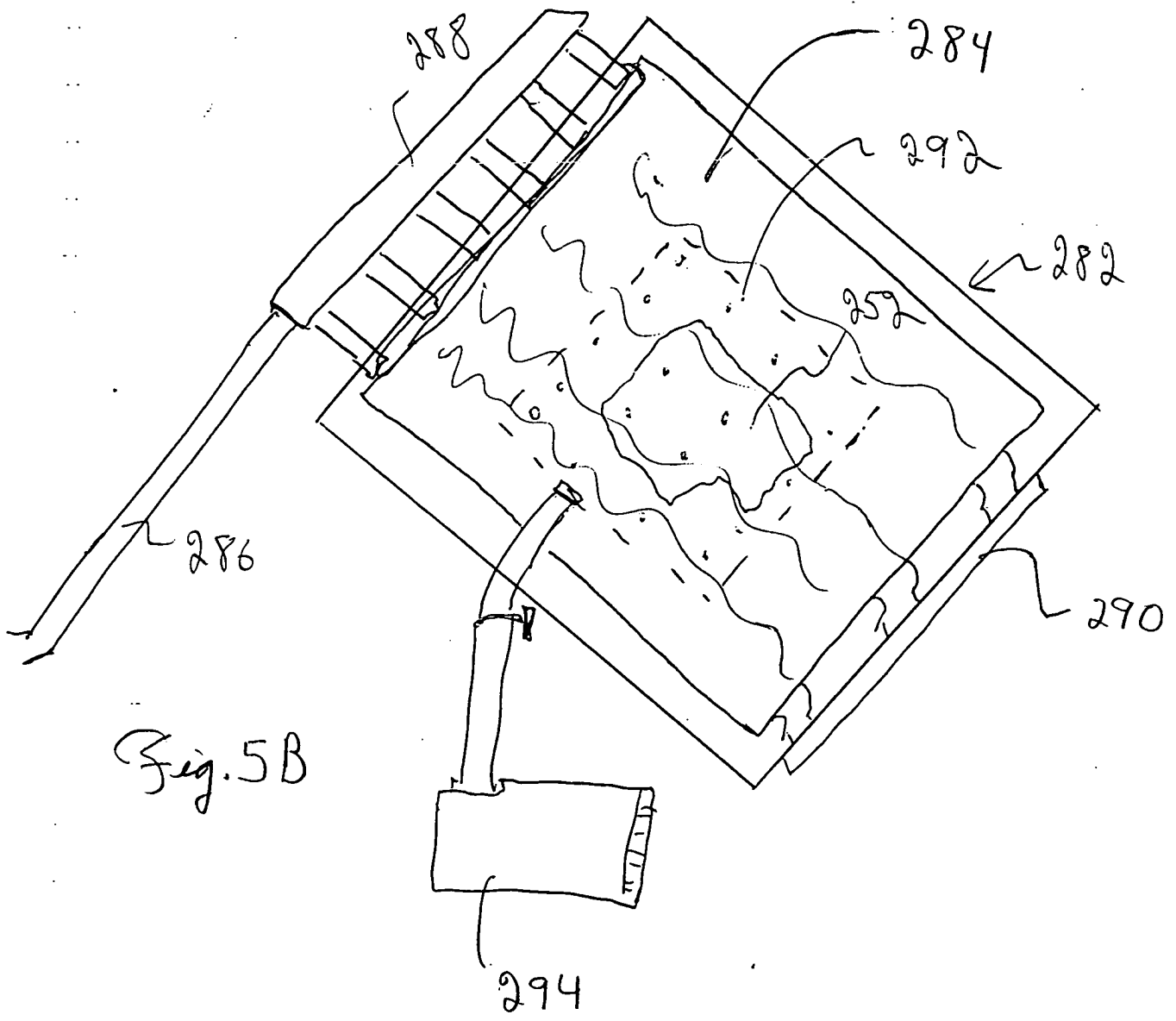
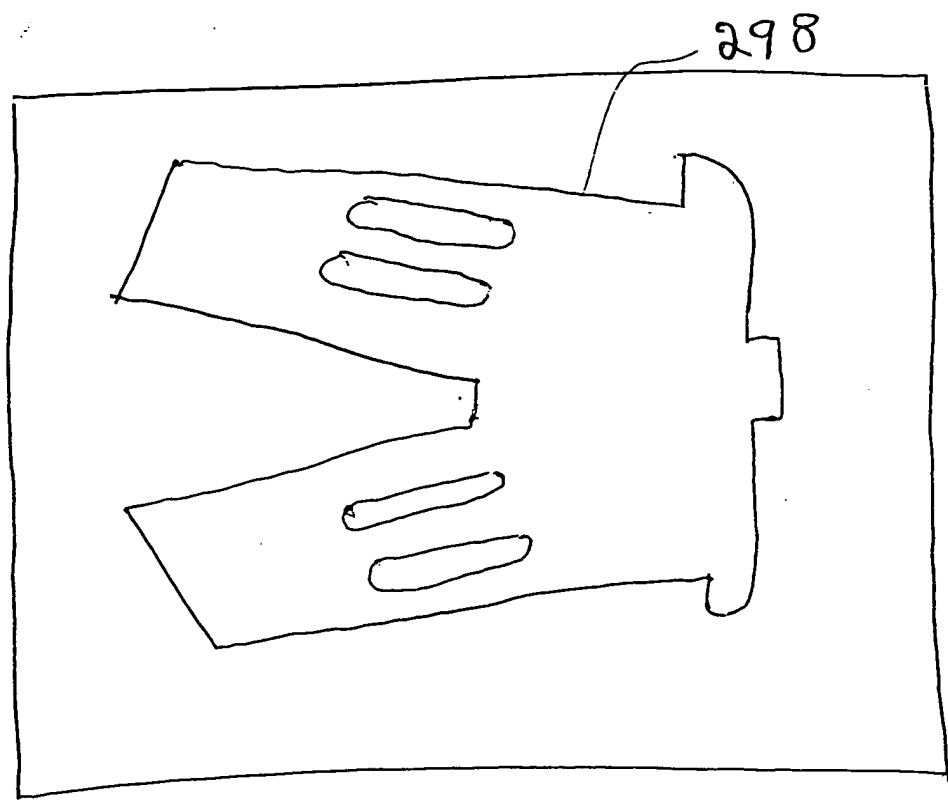


Fig. 5B

U.S. PATENT OFFICE
OFFICE OF THE COMMISSIONER OF PATENTS
WASHINGTON, D.C. 20540



298

Fig. 6

Fig. 8

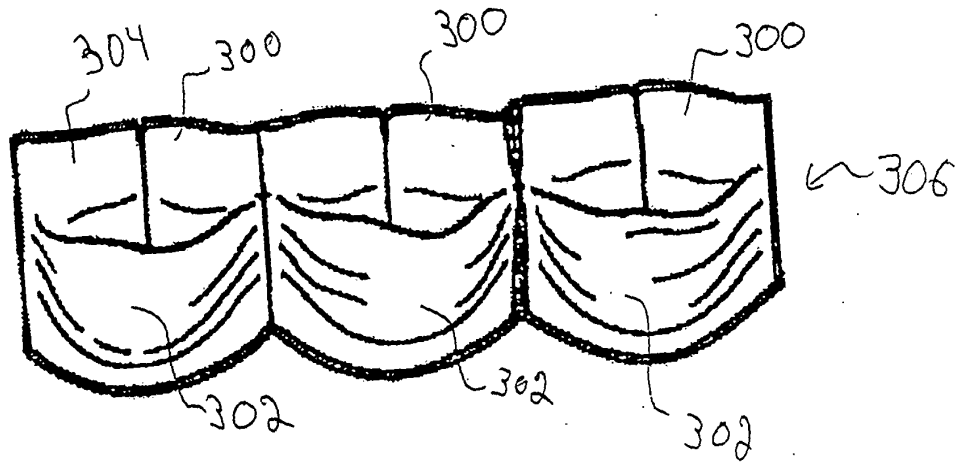


Fig. 9

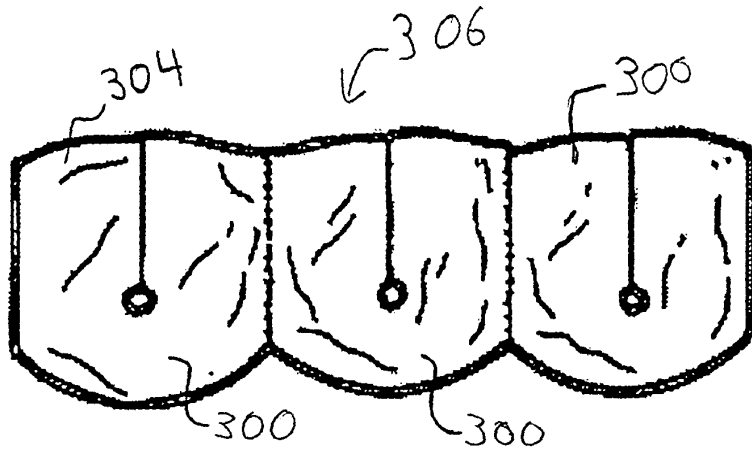


Fig. 10

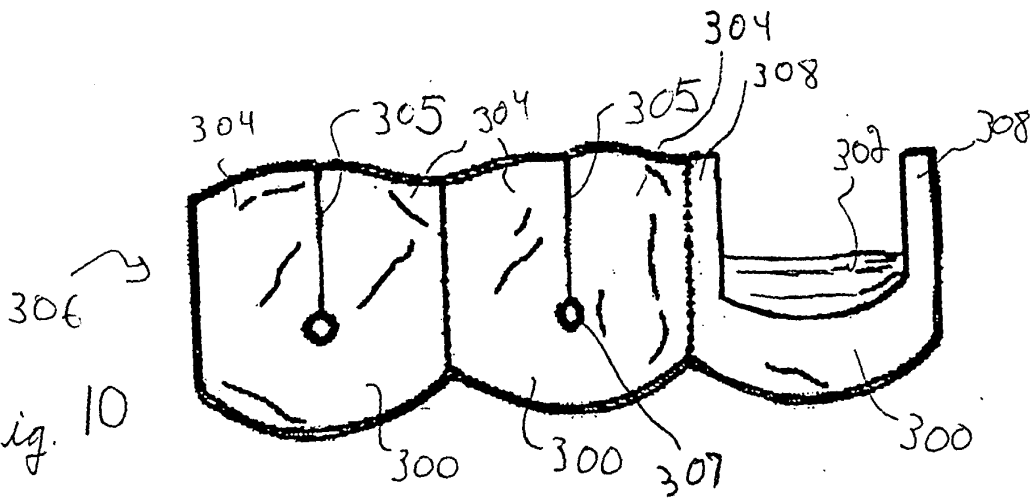
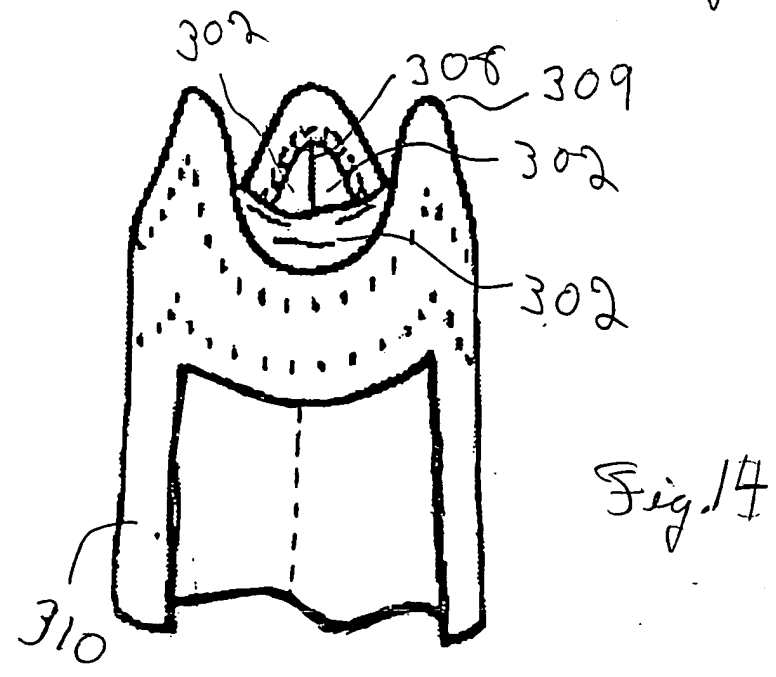
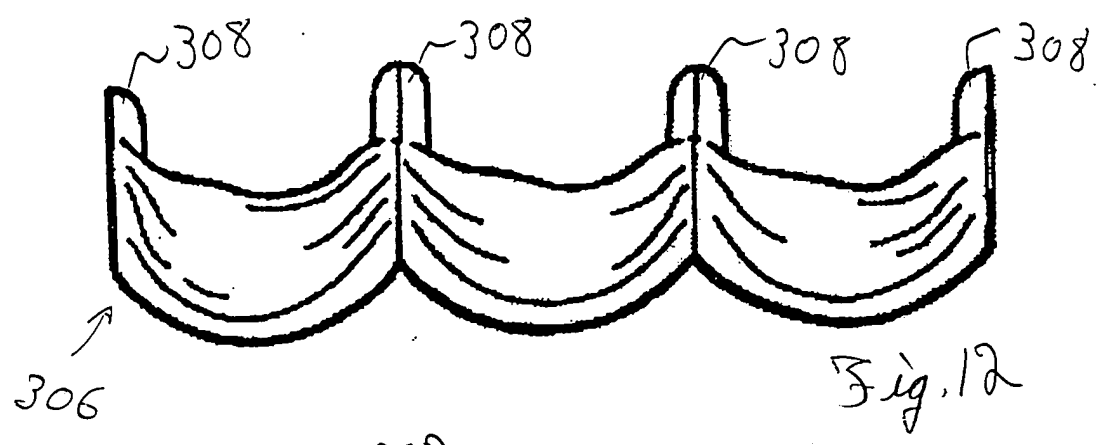
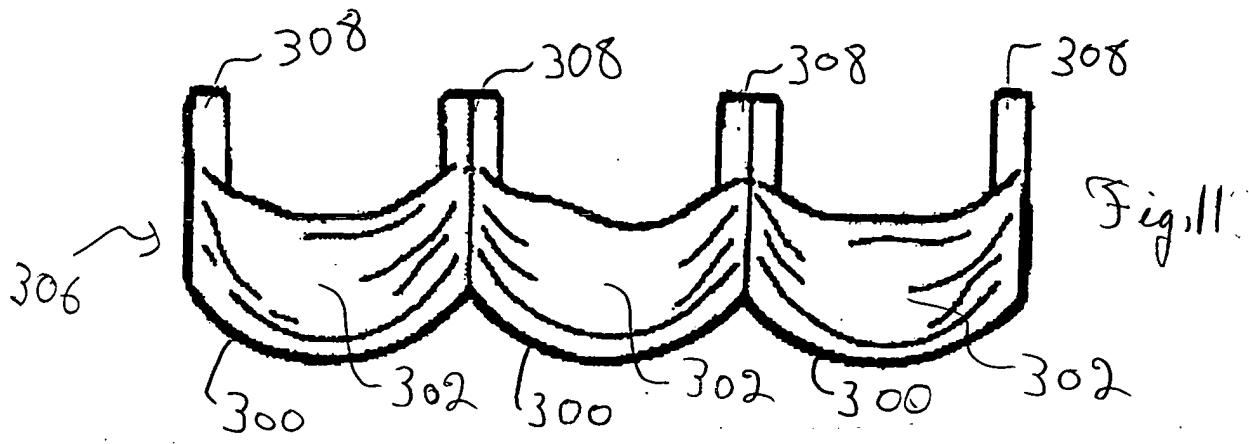
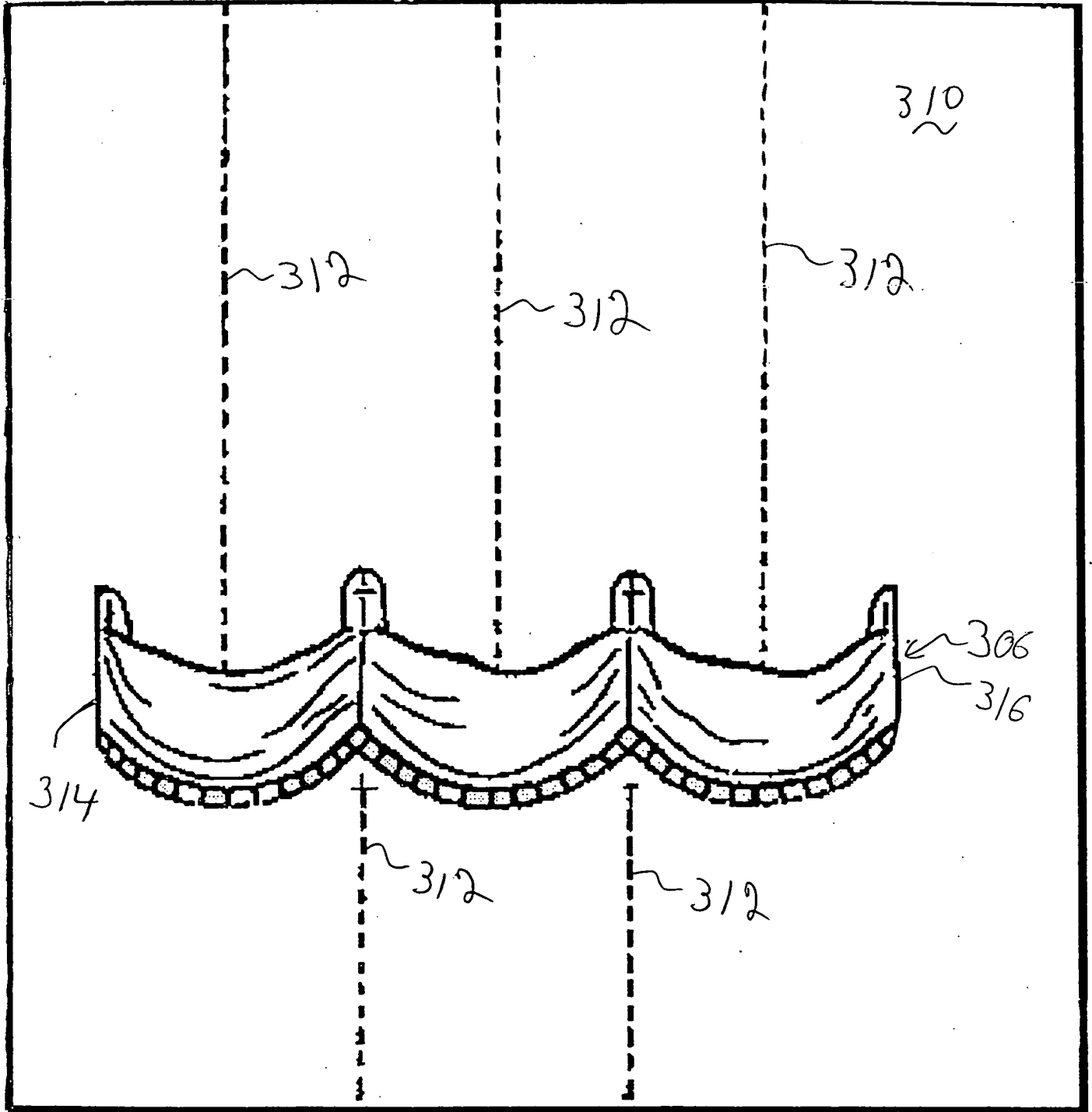


FIG. 10 is a perspective view of the device of FIG. 9, showing the device in a folded position. The device is shown in a folded position, with the top edge of the device being the top edge of the device. The device is shown in a folded position, with the top edge of the device being the top edge of the device. The device is shown in a folded position, with the top edge of the device being the top edge of the device.



This document is the property of the United States Patent and Trademark Office. It is to be used for the purpose of the patent application only. It is not to be distributed outside the United States Patent and Trademark Office.

Fig. 13



U.S. Pat. Office
No. 1,100,000
Copyright 1934
By J. B. ...
of ...

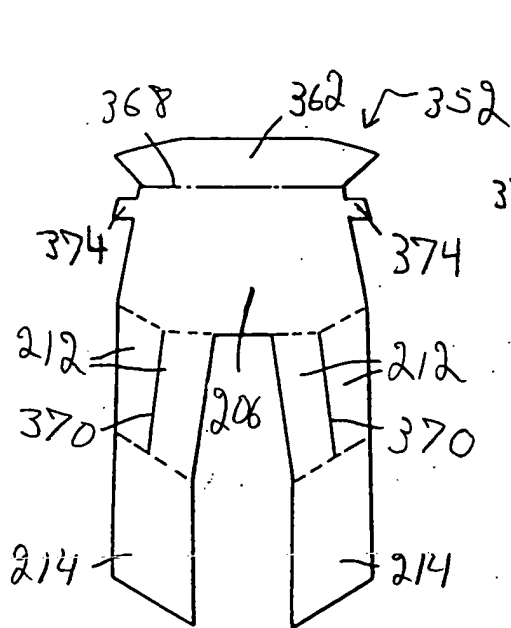


Fig. 16

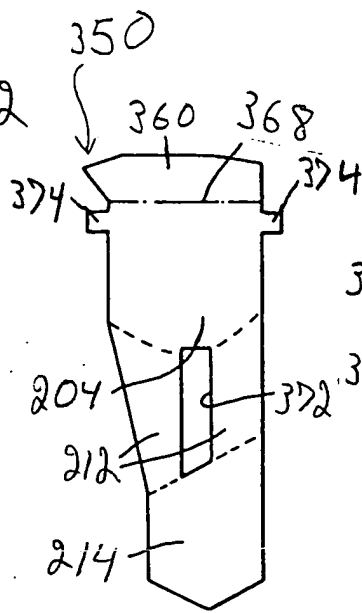


Fig. 15

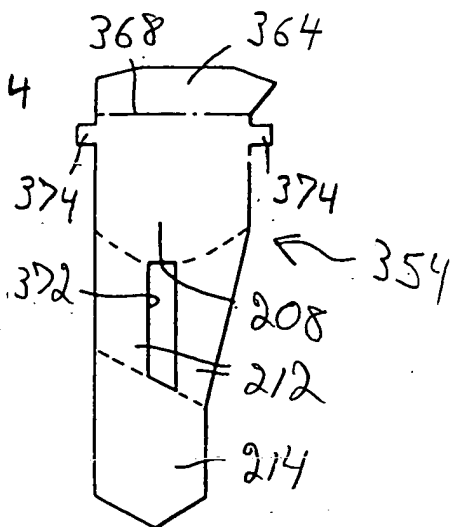


Fig. 17

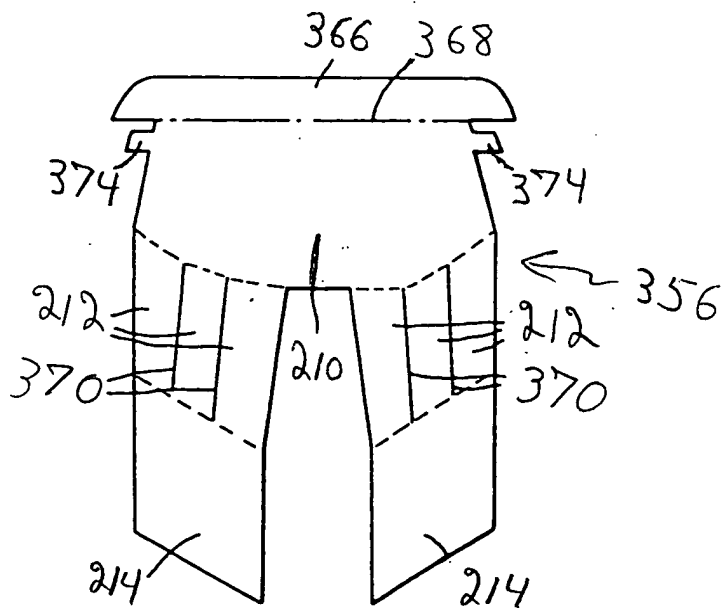


Fig. 18

This document is the property of the United States Patent and Trademark Office. It is to be used only for the purpose of the patent application. It is not to be distributed outside the United States Patent and Trademark Office.

